

No. A1569(100-120V)

No. A1570(220-240V)

Replacing the heating element for HAKKO FR-830

⚠ WARNING

- Unless otherwise specified, turn the power switch OFF and unplug the power cord before replacing the heating element. Failure to do so may result in electric shock.
- Make sure the unit is sufficiently cool before replacing the heating element.

How to replace the heating element

1. Remove the cover.
2. Disconnect the sensor connector, the heater connector and fan connector. (Fig. 1)

NOTE:

- The heater connector has a lock button on its side facing the bottom. Disconnect it by depressing this lock button.
- Cut off the cable tie to free the tired wires.

3. Remove the both fan case set screws and the grounding wire set screw.
4. Remove the heater pipe set screw and heater pipe. (Fig. 2)
5. Remove the fan set screw and fan. Remove the heating element from the fan case. (Fig. 2)
6. Insert the new heating element.

⚠ CAUTION

Inserting the heating element improperly may cause a fire. Attach the heating element with taking care the direction. (Fig. 3)

7. Reassemble in the reverse order of disassembly.

⚠ CAUTION

- Installing the fan improperly may cause a fire.
- Attach the fan with the fan label is facing on the fan case.
- Fit the heater lead in the designated groove and make sure that the heater lead are not sandwiched between fan and fan case when attaching.

NOTE:

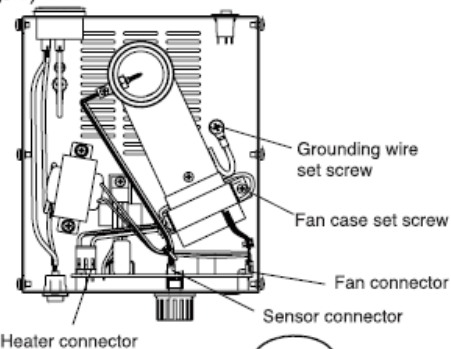
Tie with the included cable tie in the same way as before.

8. Turn the power switch ON. Check the temperature. Set the temperature control knob to 250°C. Measure the temperature directly above the sensor. The temperature should be approximately 250°C. Otherwise, adjust it by the temperature offset feature.

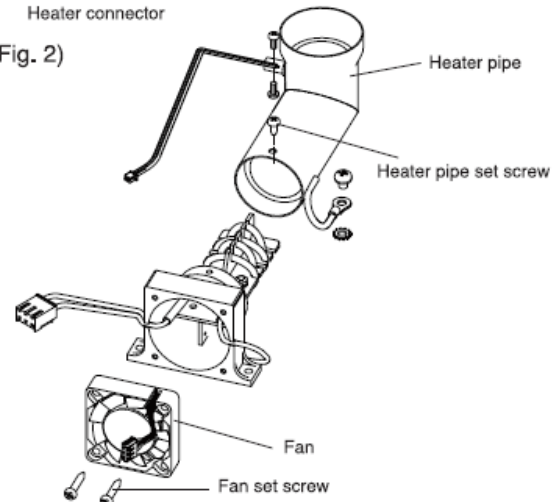
NOTE:

According to temperature offset function, refer to the HAKKO FR-830 instruction manual.

(Fig. 1)



(Fig. 2)



(Fig. 3)

